

Silicon NPN Power Transistors

2SC4584

DESCRIPTION

- With TO-3PML package
- High voltage,high speed
- Switching power transistor

PINNING

PIN	DESCRIPTION
1	Base
2	Collector
3	Emitter

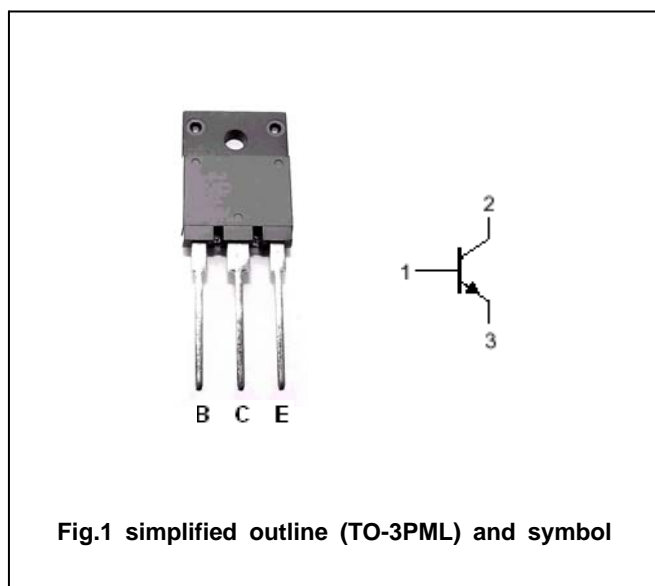


Fig.1 simplified outline (TO-3PML) and symbol

Absolute maximum ratings(Ta=25°C)

SYMBOL	PARAMETER	CONDITIONS	VALUE	UNIT
V_{CBO}	Collector-base voltage	Open emitter	1200	V
V_{CEO}	Collector-emitter voltage	Open base	800	V
V_{EBO}	Emitter-base voltage	Open collector	7	V
I_C	Collector current		6	A
I_{CM}	Collector current-peak		12	A
I_B	Base current		3	A
I_{BM}	Base current-peak		6	A
P_C	Collector power dissipation	$T_C=25^\circ\text{C}$	65	W
T_j	Junction temperature		150	$^\circ\text{C}$
T_{stg}	Storage temperature		-55~150	$^\circ\text{C}$

THERMAL CHARACTERISTICS

SYMBOL	PARAMETER	MAX	UNIT
$R_{th\ j-c}$	Thermal resistance junction to case	1.92	$^\circ\text{C}/\text{W}$

Silicon NPN Power Transistors

2SC4584

CHARACTERISTICS

T_j=25°C unless otherwise specified

SYMBOL	PARAMETER	CONDITIONS	MIN	TYP.	MAX	UNIT
V _{CEsat}	Collector-emitter saturation voltage	I _C =3A; I _B =0.6 A			1.0	V
V _{BEsat}	Base-emitter saturation voltage	I _C =3A; I _B =0.6 A			1.5	V
V _{CEO(SUS)}	Collector-emitter sustaining voltage	I _C =0.2A; I _B =0	800			V
I _{EBO}	Emitter cut-off current	At rated voltage			0.1	mA
I _{CBO}	Collector cut-off current	At rated voltage			0.1	mA
I _{CEO}	Collector cut-off current					
h _{FE-1}	DC current gain	I _C =3 A ; V _{CE} =5V	8			
h _{FE-2}	DC current gain	I _C =1mA ; V _{CE} =5V	7			
f _T	Transition frequency	I _C =0.6A ; V _{CE} =10V		8		MHz

Switching times

t _{on}	Turn-on time	I _C =3A; R _L =85 Ω I _{B1} =0.6A; I _{B2} =1.2A V _{BB2} =4V			0.5	μ s
t _{stg}	Storage time				3.5	μ s
t _f	Fall time				0.3	μ s

Silicon NPN Power Transistors

2SC4584

PACKAGE OUTLINE

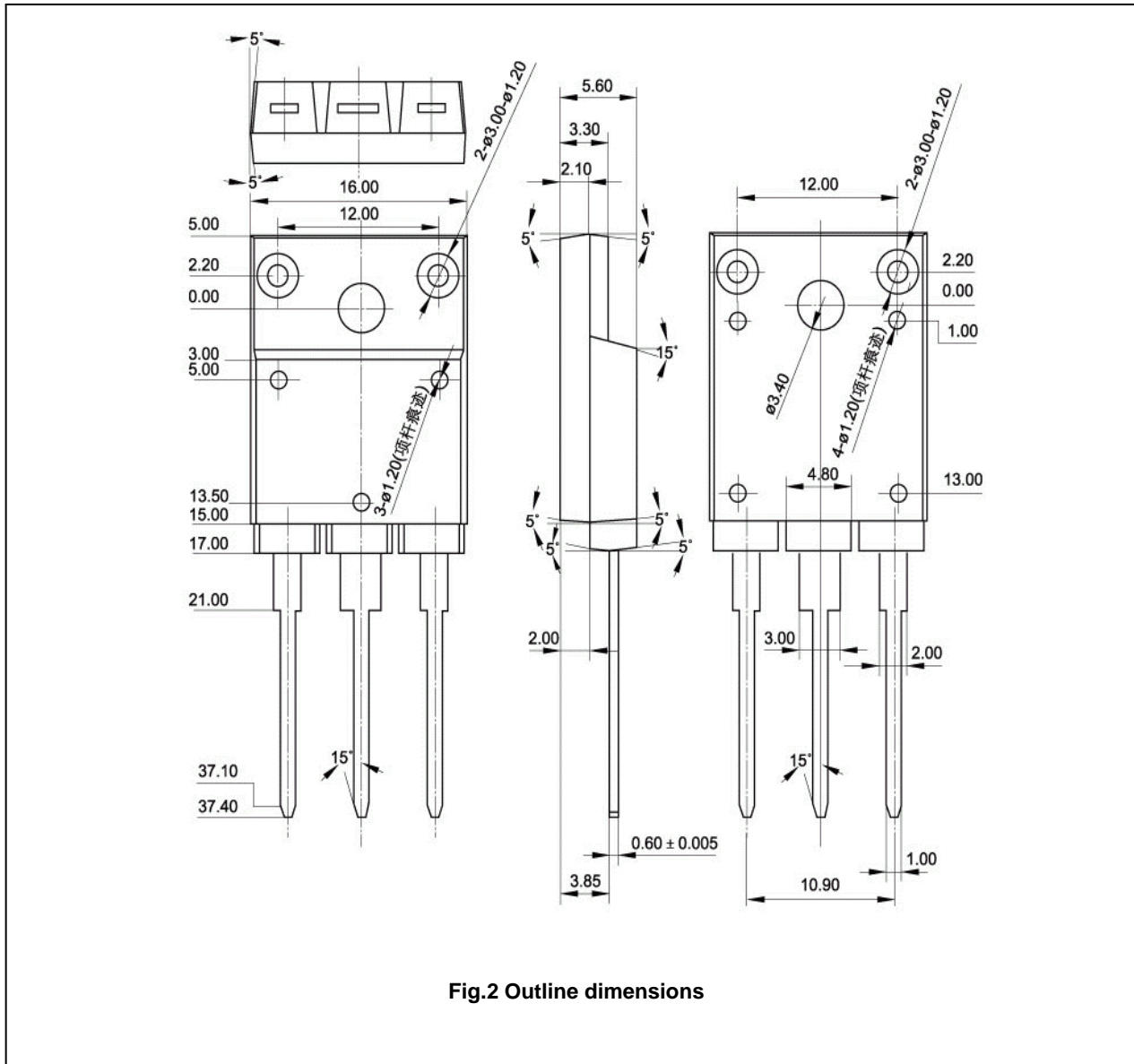


Fig.2 Outline dimensions